

CVBS / LVDS / Parallel

ATC-HZ5518W-LP

FHD 3.19MP High Resolution
 18x Global Shutter Zoom Camera



features

- 1/1.8" Progressive Scan Global Shutter CMOS
- 216x AF Zoom
 (18x optical zoom, 12x digital zoom)
- 1080p 60/50/30/25fps
- Mechanical Day&Night
- True WDR
- 3D DNR, Defog
- UART RS232-TTL (Pelco-D, Pelco C, VISCA, Hitachi)

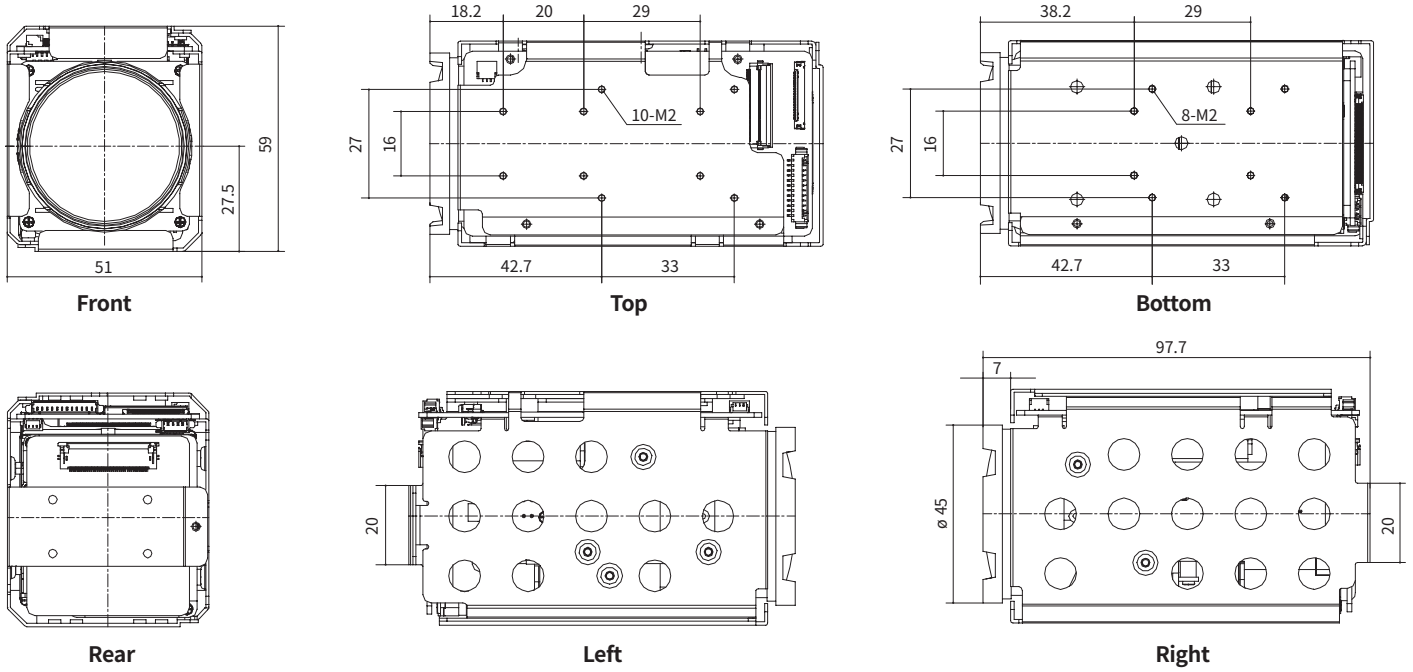
| | | |
|---------------|-----------------|-----------------------|
| 1/1.8" | 60/50fps | 18x AF |
| CMOS | 1080p | ZOOM |
| | | |
| DNR | MOTION | External sync |
| | | |
| | | Global Shutter |

Specifications

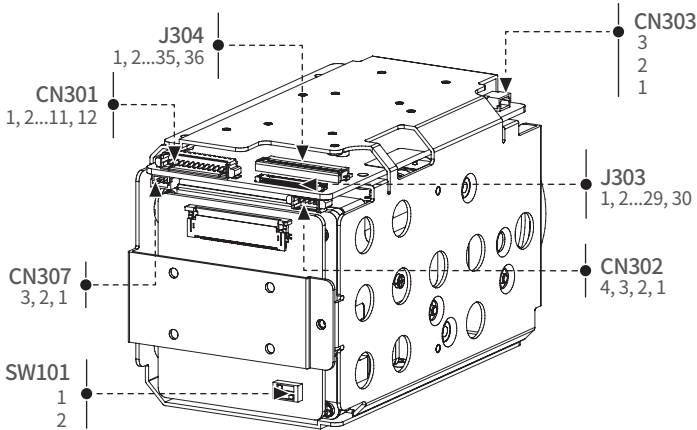
| | | |
|------------------------------------|----------------------------------|---|
| Image Sensor | | 1/1.8" Progressive Scan Global Shutter CMOS |
| Effective Pixels | | 3.19MP 2064(H) x 1544(V) |
| Video Output Mode | Common | LVDS / Parallel / CVBS |
| Max. Video Resolution | LVDS / Parallel :1080p@60(50fps) | |
| Synchronization system | | Internal / External Option |
| Min. Illumination | | Day mode: 0.1Lux(F1.61) Night mode: 0.05Lux(F1.61/ IR-cut filter on) Sens-Up off, AGC48dB |
| S/N Rate | | More than 55dB(AGC off, Sens-Up off) |
| Type | | AF Optical zoom lens(DC Iris), IR Corrective |
| Lens | Focal Length | f=6.8mm~120mm |
| | F-value | F1.61(W)~4.13(T) |
| Angle of View | | Horizontal 51.6°(W)~3.1°(T), Vertical 30.4°(W)~1.9°(T) |
| Zoom ratio | | Optical 18x / Digital 12x |
| Focus Min. Working Distance | | 0.1m(Wide)/2.0m(Tele)~∞ |
| Focus Control | | Auto/Manual/Interval/One Push/Preset |
| AE Mode | | Auto/Shutter Priority/Iris Priority/ AGC Priority/Manual |
| Brightness | | 0~14 |
| Manual Shutter | | 1/1, 1/2, 1/4(3), 1/8(6), 1/15(12), 1/30(25), 1/60(50)~1/10000 |
| Manual Iris | | F1.6~F32, Close |
| Sense-up | | Off~32fields |
| ETC | | Spot AE, Slow AE |
| D&N Mode | | Auto/Day(Color)/Night(BW)/External-H or L |
| White Balance | | AUTO/ATW/Indoor/Outdoor/OnePush/Manual |
| Image Freeze | | Off/On |
| Image Flip | | Off/Horizontal/Vertical/H+V(180° Flip) |
| Privacy Mask Zone | | 8 Zones/14 mask color selectable |

| | | |
|------------------------------------|--|--|
| Digital Image Stabilization | Yes | |
| Motion Detection | 4 Zones | |
| D-WDR | Off/Low/Middle/High | |
| WDR | Off/On, Adjustable (Level:0~29, Contrast:0~5, Bright:0~19) | |
| BLC | Off/On, Area selectable | |
| HLC | Off/On, Area selectable | |
| AGC | Max.48dB | |
| Sharpness | Adjustable(0~15) | |
| 3D-DNR | Off/Auto/Low/Middle/High | |
| 2D-DNR | Off/Auto/Low/Middle/High | |
| Defog | Off/On/Auto | |
| Preset | 256 position Presets(Zoom,Focus), 16Memory Presets, Custom Preset | |
| Language | English | |
| UART | Remote | RS232 TTL +5.0V(+3.3V compatible) |
| | Protocol | VISCA/Pelco-D/Pelco-P/ Hitachi: Automatic detection |
| | Baud rate | 2400/4800/9600/19200/38400/57600/115200bps |
| Supply Voltage | 12VDC(9V to 15VDC) | |
| Power Consumption | Max.6.4W / Non-working zoom&focus 4.6W | |
| Dimension(mm) | 51x59x97.6mm | |
| Weight | Approx.277g | |
| Operating Temperature | -10°C~+50°C, Humidity(Less than 90%) | |
| Storage Temperature | -20°C~+60°C, Humidity(Less than 90%) | |
| Remark | | |

Dimension



Pin Assignment



SW101 is fixed the sensor slave (Switch 1: OFF, Switch 2: ON) It cannot be operated when using the other settings.

| Pin no. | CN301(External I/O) / Molex : 53261-1271 |
|---------|--|
| 1 | Vsync_OUT |
| 2 | Hsync_OUT |
| 3 | VCLK_OUT |
| 4 | GND |
| 5 | Vsync_IN |
| 6 | Hsync_IN |
| 7 | VCLK_IN |
| 8 | GND |
| 9 | Trig_Common |
| 10 | Trigger_IN |
| 11 | Strobe_Common |
| 12 | Strobe_OUT |

| Pin no. | CN302(CVBS) / Molex: 53261-0471 |
|---------|---------------------------------|
| 1 | POWER IN : +12VDC |
| 2 | GND |
| 3 | VIDEO : CVBS Output |
| 4 | AD_KEY |

| Pin no. | CN303(External D&N) / JST: SM03B-SRSS-TB |
|---------|--|
| 1 | Ext_D&N : External D&N Input |
| 2 | GND |
| 3 | +3.3V Out(For sensor) |

| Pin no. | CN307(RS-232 TTL) / JST: SM03B-SRSS-TB |
|---------|--|
| 1 | GND |
| 2 | RXD : CMOS 5.0V Read Data(Compatible 3.3V) |
| 3 | TXD : CMOS 5.0V Send Data(Compatible 3.3V) |

| Pin no. | J303(Micro Co-Axial) / KEL Co.USL00-30L-C |
|---------|--|
| 1 | TX_OUT3+ |
| 2 | TX_OUT3- |
| 3 | TX_CLKOUT+ |
| 4 | TX_CLKOUT- |
| 5 | TX_OUT2+ |
| 6 | TX_OUT2- |
| 7 | TX_OUT1+ |
| 8 | TX_OUT1- |
| 9 | TX_OUT0+ |
| 10 | TX_OUT0- |
| 11 | GND |
| 12 | TXD : CMOS 5.0V Send Data(Compatible 3.3V) |
| 13 | RXD : CMOS 5.0V Read Data(Compatible 3.3V) |
| 14 | +12VDC |
| 15 | +12VDC |
| 16 | +12VDC |
| 17 | +12VDC |
| 18 | +12VDC |
| 19 | GND |
| 20 | GND |
| 21 | TX_OUT7+ : Single out mode (open) |
| 22 | TX_OUT7- : Single out mode(open) |
| 23 | TX_OUT6+ : Single out mode(open) |
| 24 | TX_OUT6- : Single out mode(open) |
| 25 | CVBS Output |
| 26 | RESET_IN : Reset - Low(GND), Normal(1.8V) |
| 27 | TX_OUT5+ : Single out mode(open) |
| 28 | TX_OUT5- : Single out mode(open) |
| 29 | TX_OUT4+ : Single out mode(open) |
| 30 | TX_OUT4- : Single out mode(open) |

| Pin no. | J304(FFC Connector) / Hirose : FH12-36S-05SH(55) |
|---------|--|
| 1 | GND |
| 2 | Y_OUT[0] |
| 3 | Y_OUT[1] |
| 4 | Y_OUT[2] |
| 5 | Y_OUT[3] |
| 6 | GND |
| 7 | Y_OUT[4] |
| 8 | Y_OUT[5] |
| 9 | Y_OUT[6] |
| 10 | Y_OUT[7] |
| 11 | GND |
| 12 | C_OUT[0] |
| 13 | C_OUT[1] |
| 14 | C_OUT[2] |
| 15 | C_OUT[3] |
| 16 | GND |
| 17 | C_OUT[4] |
| 18 | C_OUT[5] |
| 19 | C_OUT[6] |
| 20 | C_OUT[7] |
| 21 | GND |
| 22 | VSYNC |
| 23 | HSYNC |
| 24 | GND |
| 25 | VCLK_OUT |
| 26 | GND |
| 27 | GND |
| 28 | GND |
| 29 | GND |
| 30 | GND |
| 31 | POWER IN : +12VDC |
| 32 | POWER IN : +12VDC |
| 33 | POWER IN : +12VDC |
| 34 | GND |
| 35 | TXD : CMOS 5.0V Send Data(Compatible 3.3V) |
| 36 | RXD : CMOS 5.0V Read Data(Compatible 3.3V) |