

CVBS / USB



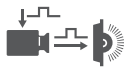

ATC-HZ5518W-UE

FHD 3.19MP High Resolution
 18x Global Shutter Zoom Camera



features

- 1/1.8" Progressive Scan Global Shutter CMOS
- 216x AF Zoom (18x optical zoom, 12x digital zoom)
- 1080p 30/25fps
- Mechanical Day&Night
- True WDR
- 3D DNR, Defog
- UART RS232-TTL (Pelco-D, Pelco C, VISCA, Hitachi)

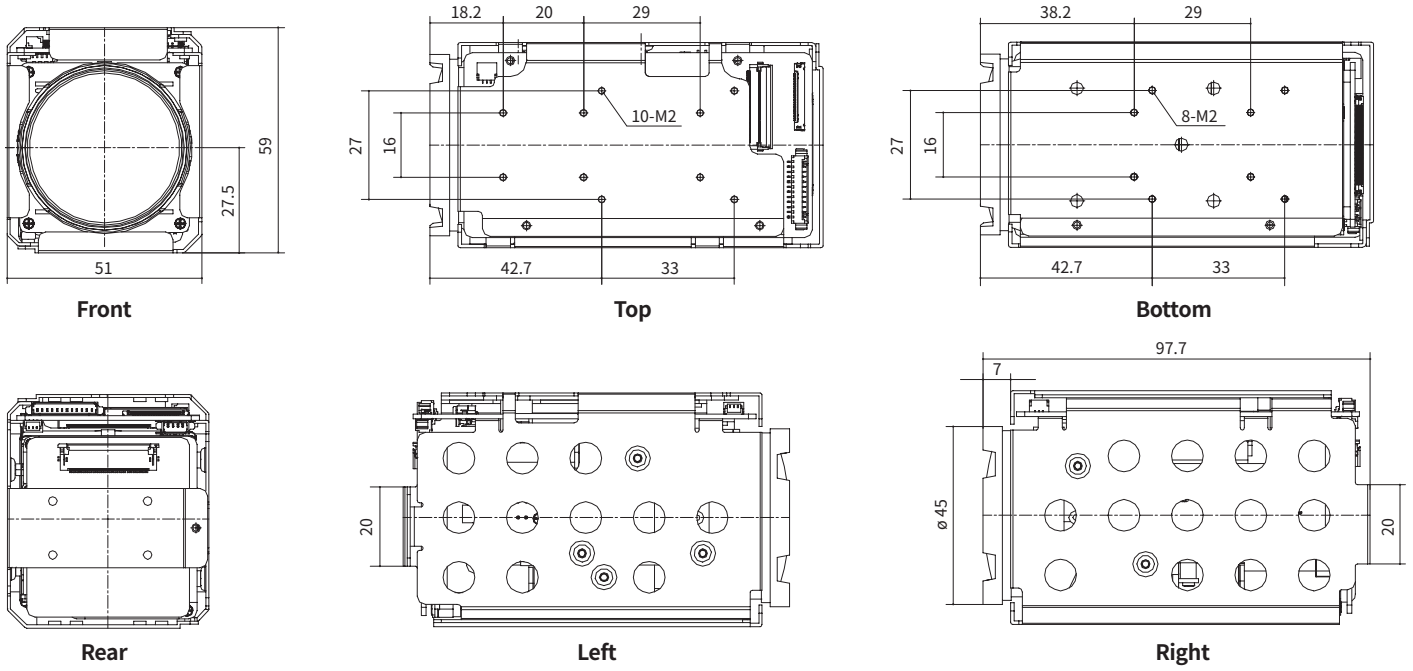
1/1.8"	30/25fps FHD	18x AF
CMOS	1080p	ZOOM
		
DNR	MOTION	External sync
		
		Global Shutter

Specifications

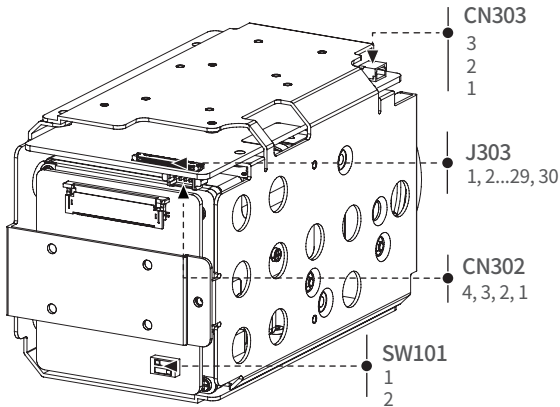
Image Sensor		1/1.8" Progressive Scan Global Shutter CMOS
Effective Pixels		3.19MP 2064(H) x 1544(V)
Video Output Mode	Common	USB / CVBS
Max. Video Resolution	USB :1080p@30(25fps)	
Synchronization system	Internal / External Option	
Min. Illumination	Day mode: 0.1Lux(F1.61) Night mode: 0.05Lux(F1.61/ IR-cut filter on) Sens-Up off, AGC48dB	
S/N Rate	More than 55dB(AGC off, Sens-Up off)	
Type	AF Optical zoom lens(DC Iris), IR Corrective	
Lens	Focal Length	f=6.8mm~120mm
	F-value	F1.61(W)~4.13(T)
Angle of View	Horizontal 51.6°(W)~3.1°(T), Vertical 30.4°(W)~1.9°(T)	
Zoom ratio	Optical 18x / Digital 12x	
Focus Min. Working Distance	0.1m(Wide)/2.0m(Tele)~∞	
Focus Control	Auto/Manual/Interval/One Push/Preset	
AE Mode	Auto/Shutter Priority/Iris Priority/ AGC Priority/Manual	
Brightness	0~14	
Manual Shutter	1/1, 1/2, 1/4(3), 1/8(6), 1/15(12), 1/30(25), 1/60(50)~1/10000	
Manual Iris	F1.6~F32, Close	
Sense-up	Off~32fields	
ETC	Spot AE, Slow AE	
D&N Mode	Auto/Day(Color)/Night(BW)/External-H or L	
White Balance	AUTO/ATW/Indoor/Outdoor/OnePush/Manual	
Image Freeze	Off/On	
Image Flip	Off/Horizontal/Vertical/H+V(180° Flip)	
Privacy Mask Zone	8 Zones/14 mask color selectable	

Digital Image Stabilization	Yes	
Motion Detection	4 Zones	
D-WDR	Off/Low/Middle/High	
WDR	Off/On, Adjustable (Level:0~29, Contrast:0~5, Bright:0~19)	
BLC	Off/On, Area selectable	
HLC	Off/On, Area selectable	
AGC	Max.48dB	
Sharpness	Adjustable(0~15)	
3D-DNR	Off/Auto/Low/Middle/High	
2D-DNR	Off/Auto/Low/Middle/High	
Defog	Off/On/Auto	
Preset	256 position Presets(Zoom,Focus), 16Memory Presets, Custom Preset	
Language	English	
UART	Remote	RS232 TTL +3.3V
	Protocol	VISCA/Pelco-D/Pelco-P/ Hitachi: Automatic detection
	Baud rate	9600bps
Supply Voltage	12VDC(9V to 15VDC)	
Power Consumption	Max6.4W / Non-working zoom&focus 4.2W	
Dimension(mm)	51x59x97.6mm	
Weight	Approx.277g	
Operating Temperature	-10°C~+50°C, Humidity(Less than 90%)	
Storage Temperature	-20°C~+60°C, Humidity(Less than 90%)	
Remark		

Dimension



Pin Assignment



SW101 is fixed the sensor slave (Switch 1: OFF, Switch 2: ON)
It cannot be operated when using the other settings.

Pin no.	J303(Micro Co-Axial) / KEL Co.USL00-30L-C
1	GND
2	VS_IN
3	HS_IN
4	CLK_IN
5	VS_OUT
6	HS_OUT
7	CLK_OUT
8	GND
9	TRIG_COM
10	TRIGGER_IN
11	STROBE_COM
12	STROBE_IN
13	RXD : CMOS 3.3V Read Data
14	TXD : CMOS 3.3V Read Data
15	GND
16	+12VDC
17	+12VDC
18	+12VDC
19	+12VDC
20	GND
21	GND
22	SS_DM
23	SS_DP
24	OTG_ID
25	GND
26	MICRO_SSTX_M
27	MICRO_SSTX_P
28	GND
29	MICRO_SSTX_M
30	MICRO_SSTX_P

Pin no.	CN302(CVBS) / Molex: 53261-0471
1	POWER IN : +12VDC
2	GND
3	VIDEO : CVBS Output
4	AD_KEY

Pin no.	CN303(External D&N) / JST: SM03B-SRSS-TB
1	Ext_D&N : External D&N Input
2	GND
3	+3.3V Out(For sensor)