



1 2 3 4 5 6

A

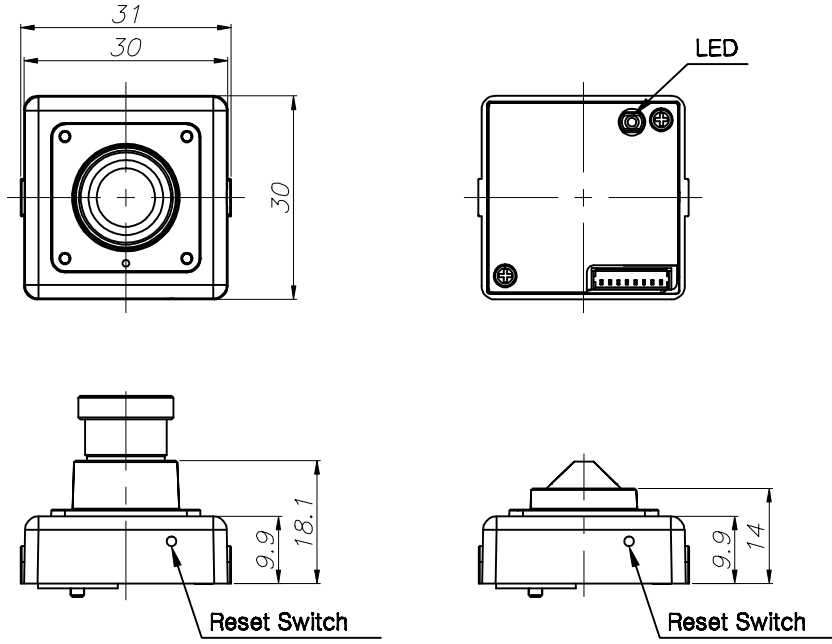
A

B

B


C

C



D

D

D	△5			TOLERANCE		UNIT	mm	MATERIAL	-	TITLE	KNC-HMS6330-i	
	△4			0<L≤50	±0.1	Q'TY	1EA	SCALE	1:1	PART NAME	ASSEMBLY	
	△3			50<L≤300	±0.15	SIZE	A4	PROJECTION	3'rd	DESIGNED	CHECKED	APPROVED
	△2			300<L	±0.2	 KT&C CO., LTD.						
	△1			ANGULAR	±1'							
	NO.	DATE	Description	Revised by						DWG NO.		

1 2 3 4 5 6