



1 2 3 4 5 6

A

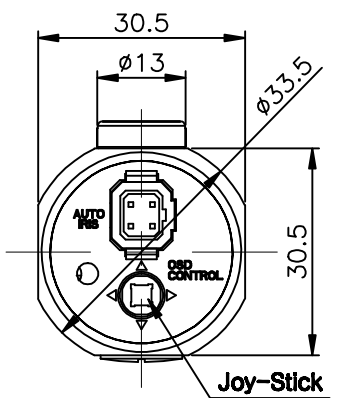
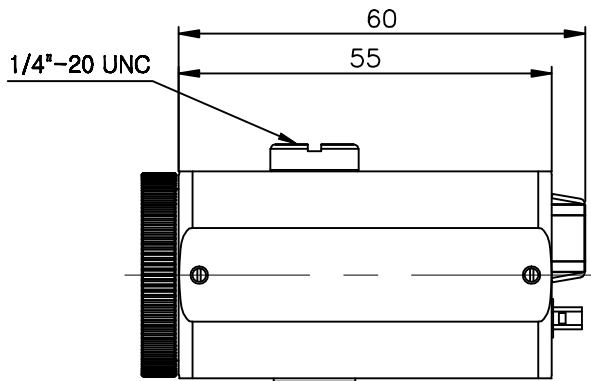
A

B

B


C

C



D

D

|   |   |     |      |             |            |         |   |     |            |      |           |             |          |         |
|---|---|-----|------|-------------|------------|---------|---|-----|------------|------|-----------|-------------|----------|---------|
| D | 5 |     |      |             | TOLERANCE  |         | UNIT  | mm  | MATERIAL   | -    | TITLE     | KTC-HMB7865 |          |         |
|   | 4 |     |      |             | 0<L≤50     | ±0.1    | Q'TY  | 1EA | SCALE      | 1:1  | PART NAME | ASSEMBLY    |          |         |
|   | 3 |     |      |             | 50<L≤300   | ±0.15   | SIZE  | A4  | PROJECTION | 3'rd | DESIGNED  | CHECKED     | APPROVED |         |
|   | 2 |     |      |             | 300<L      | ±0.2    |  <b>KT&amp;C CO., LTD.</b> |     |            |      |           |             |          |         |
|   | 1 | NO. | DATE | Description | Revised by | ANGULAR |   |     |            |      |           |             | ±1'      | DWG NO. |

1 2 3 4 5 6