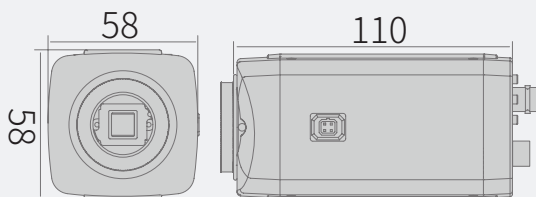


EX-SDI Camera

KTC-MEBN6322x

- Sony 1/2.8" 2.13MP Progressive Scan SONY STARVIS CMOS
- 1080p(1920x1080)@30(25)fps
- 6in1 Output(AVI, TVI, CVI, EX-SDI, HD-SDI, CVBS)
- C/CS Mount for lens
- Mechanical Day&Night
- WDR, 3D DNR, Defog
- UCC, UTC function supports OSD Control
- Box Camera

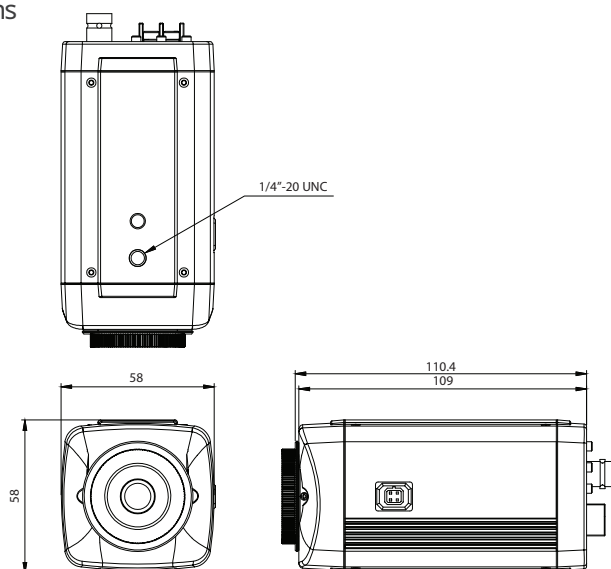


EX-SDI Camera

KTC-MEBN6322x

Dimensions

Unit:mm



Specifications

Image Sensor	1/2.8" Progressive Scan SONY STARVIS CMOS	Privacy Mask	16 Zones
Effective Pixels	1945(H) x 1097(V)	Image Rotation	OFF/H-FLIP/V-FLIP/HV-FLIP
Max. Video Resolution	HD-SDI/EX-SDI1.0/EX-SDI2.0/AVI/TVI/CVI : 1080p@30fps(25fps)/720p@60fps(50fps)/720p@30fps(25fps) TV out : CVBS NTSC/PAL	Defog	OFF/ON(AUTO/MANUAL)
Lens	Type C/CS Mount lens	Sharpness	0~10
Focal Length	Depend on lens	OSD control	Rear OSD button, UTC, UCC (HD-SDI / EX-SDI 2.0)
Angle of View	Depend on lens	Language	ENGLISH, Русский, ESPAÑOL, DEUTSCH, FRANCAISE, PORTUGUÊS, 日本語, 한국어"
Min.Illumination	0.03Lux(F1.2, ICR OFF, AGC33dB, DSS:x2)	Video Output mode	HD-SDI/EX-SDI1.0/EX-SDI2.0/AVI/CVI/TVI/CVBS
IR LEDs	-	General	
IR Range	-	IP Rating	-
White Balance	AUTO/AUTO EXT/PUSH LOCK/MANUAL	Operating Temperature	-10°C~+50°C
Dynamic Range	WDR/BLC OFF/BLC/HLC/WDR15P/WDR30P(4 Zones selectable) D-WDR OFF/LOW/MIDDLE/HIGH Level 135.6dB	Storage Temperature	-20°C~+60°C
Electronic Shutter Speed	AUTO/FLICKER/MANUAL/(1/30(25)~1/30,000)	Dimension(mm)	58X58X110.4mm
Digital Slow Shutter(DSS)	OFF~ x32	Weight	Approx.230g
Auto Gain Control(AGC)	OFF~45dB	Power Source	12VDC(±10%)
Day&Night	AUTO/COLOR/B&W (Electronic D&N)	Power Consumption	Max.130mA@12VDC
Noise Deduction	3D-DNR(OFF/LOW/MIDDLE/HIGH)	Option	
Motion Detection	OFF/ON(4 Zones)	Power Source	DUAL POWER(24VAC/12VDC)
		Power Consumption	24VAC(±10%), Max.2.8W 12VDC(±10%), Max.190mA
		Lens	