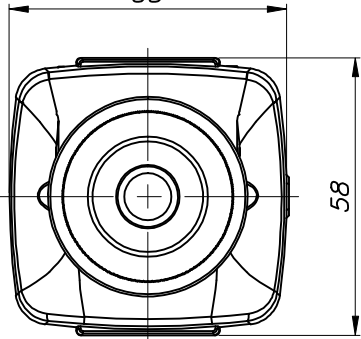


1/4" - 20UNC

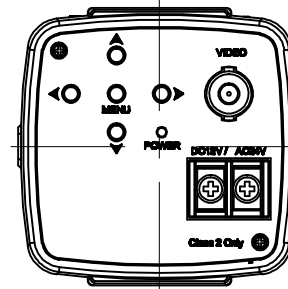
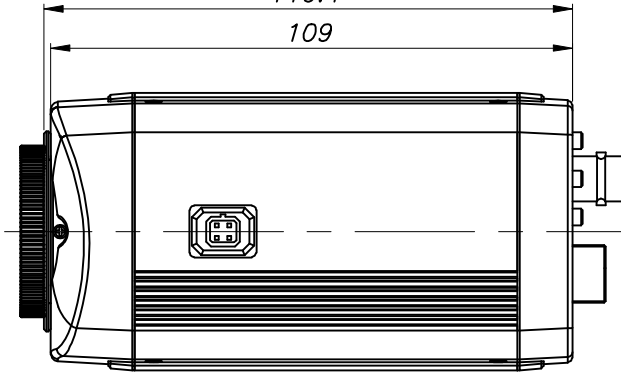
58




58

110.4

109



| | | | | | | | | | | | | | | |
|-----------------------|------|-------------|------------|--|-----------|-------|--|-----|------------|-----|----------|------------|----------|--|
| △ △ △ △ △ | | | | | TOLERANCE | | UNIT | mm | MATERIAL | - | TITLE | KPC-CN6300 | | |
| | | | | | 0<L≤100 | ±0.1 | Q'TY | 1EA | SCALE | 1:1 | PART AME | ASSEMBLY | | |
| | | | | | 100<L≤300 | ±0.15 | SIZE | A3 | PROJECTION | - | DESIGNED | CHECKED | APPROVED | |
| | | | | | 300<L | ±0.2 |  KT&C CO., LTD. | | | | | | | |
| | | | | | ANGULAR | ±0.1' | | | | | | | DWG NO. | |
| NO. | DATE | Description | Revised by | | | | | | | | | | | |