



1 2 3 4 5 6

A

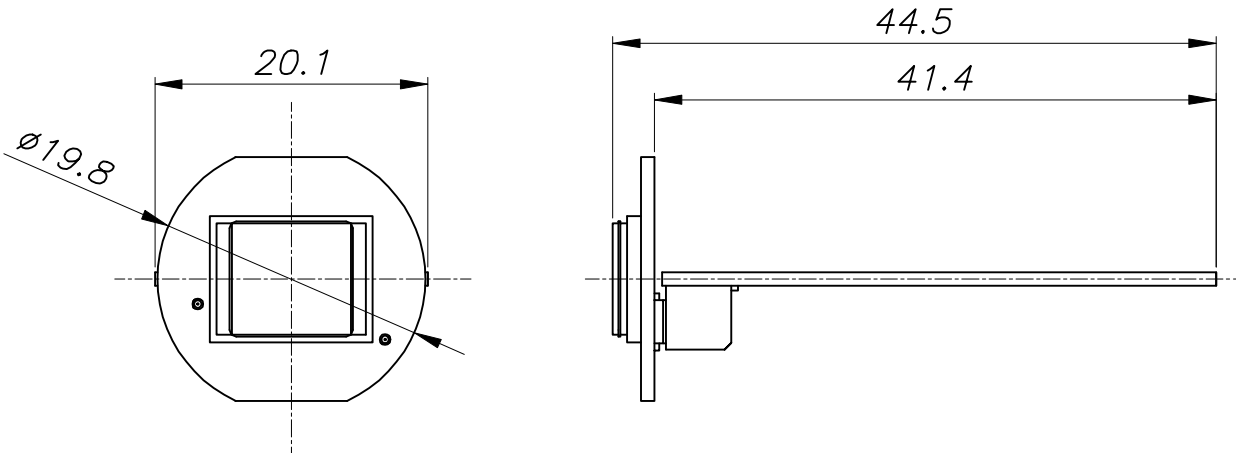
A


B

B

C

C



|   |     |      |             |            |           |       |  |     |            |      |           |             |          |  |
|---|-----|------|-------------|------------|-----------|-------|--|-----|------------|------|-----------|-------------|----------|--|
| D | △   |      |             |            | TOLERANCE |       | UNIT   | mm  | MATERIAL   | -    | TITLE     | ACE-HDB232M |          |  |
|   | △   |      |             |            | 0<L≤50    | ±0.1  | Q'TY   | 1EA | SCALE      | 2:1  | PART NAME | ASSEMBLY    |          |  |
|   | △   |      |             |            | 50<L≤300  | ±0.15 | SIZE   | A4  | PROJECTION | 3'rd | DESIGNED  | CHECKED     | APPROVED |  |
|   | △   |      |             |            | 300<L     | ±0.2  |  KT&C CO., LTD. |     |            |      |           |             |          |  |
|   | △   |      |             |            | ANGULAR   | ±1'   |  |     |            |      |           | DWG NO.     |          |  |
|   | NO. | DATE | Description | Revised by |           |       |  |     |            |      |           |             |          |  |
|   | 1   |      | 2           | 3          |           |       | 4  |     | 5          |      | 6         |             |          |  |

D