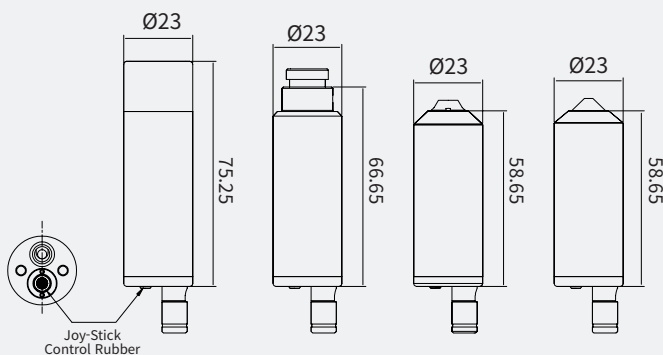
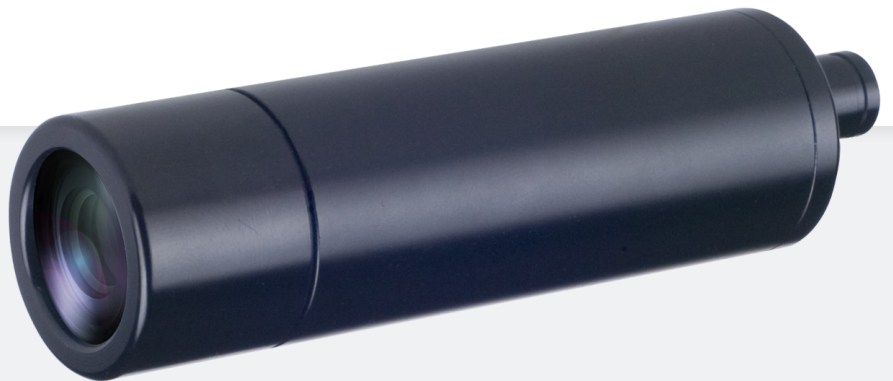


Analog Camera

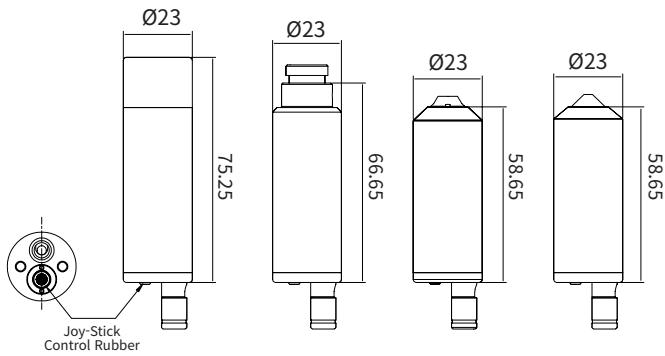
KPC-CJ230xUB/UWX

- 1/3.2" 1.3M SONY STARVIS CMOS
- Horizontal 800TV Lines
- CVBS(1.0Vp-p Composite 75Ω)
- Fixed lens 3.6mm
- WDR, 2DNR
- Digital D&N
- Mini Bullet Camera



KPC-CJ230xUB/UWX

Dimensions



Specifications

	KPC-CJ230xUB	KPC-CJ230xUWX
Image Sensor	1/3.2" Exmor RS Progressive Scan SONY STARVIS CMOS	
Effective Pixels	1.27MP 1297(H) x 977(V)	
Max. Video Resolution	Horizontal 800TV Lines	
Type	Board mount lens	
Lens Focal Length	3.6mm, F 2.0	
Angle of View	94.91 (D)x81.9 (H)x66.5 (V)	
Min.Illumination	0.2 Lux (30IRE, F2.0, AGC MAX)	
Gamma	γ=0.45	
IR LEDs	-	
IR Range	-	
White Balance	ATW / PUSH / USER1 / USER2 / MANUAL / PUSH LOCK	
Dynamic Range	WDR/BLC	WDR / ATR / OFF
	D-WDR	OFF / HLC / BLC
	Level	138.1dB
Electronic Shutter Speed	AUTO or 1/60(50)~1/100,000	
Digital Slow Shutter(DSS)	-	
Auto Gain Control(AGC)	MIN, 6, 12, 18, 24, 30, 36, 42, 48, MAX	
Day&Night	Electronic D&N	
Noise Deduction	2D-DNR (Y/C, Y, C, OFF)	
Motion Detection	-	

Privacy Mask	-	
Image Rotation	OFF, H-FLIP, V-FLIP, HV-FLIP	
Defog	OFF, AUTO	
Sharpness	0-255	
OSD control	JOYSTICK	
Language	-	
Video Output mode	CVBS(1.0Vp-p Composite 75Ω) NTSC/PAL	
General		
IP Rating	-	IP67 (Waterproof Type)
Operating Temperature	-10°C~+50°C(Humidity less than 80%)	
Storage Temperature	-20°C~+60°C(Humidity less than 80%)	
Dimension(mm)	Φ23X75.25mm (Waterproof type)	
Weight	Approx.61.8g (Waterproof type)	
Power Source	12VDC(±10%)	
Power Consumption	12VDC(±10%), 60mA max.	
Option		
Power Source		
Power Consumption		
Lens	KPC-CJ230xUP3: 3.7mm Flat Pinhole Lens	