

Megapixel Network Camera

Installation Guide



1. Introduction

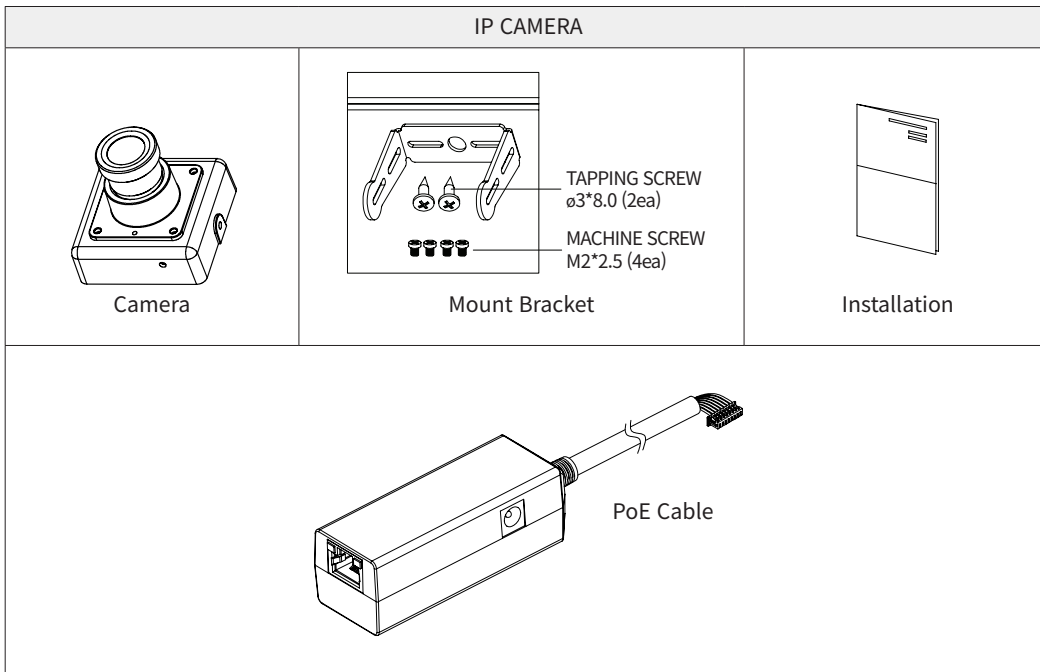
This installation guide provides instructions for installing the 2M Pixel Mini Square IP Camera on your network. Please see the user guide for all other aspects of using the product.

Installation Steps

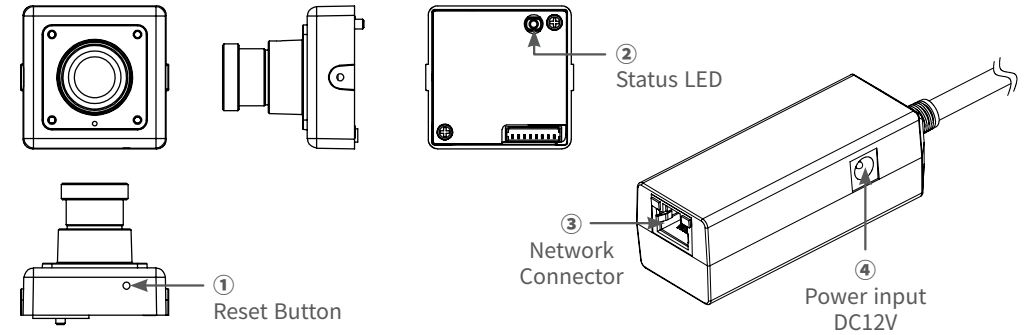
1. Check the list below and the package contents.
2. Read the Product description.
3. Install the hardware.
4. Assign an IP address if needs to. (DHCP is the default)
5. Set the admin and user ID and password. (see User Manual)

Important! : This product should be used in compliance with local laws and regulations.

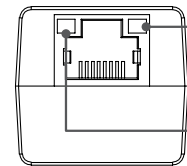
2. Package Contents



3. Product Description

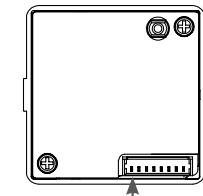


- ① **Reset Button** - This button sets the camera configuration to the factory default state.
- ② **Status LED** - LED blinks when power is on.
- ③ **Network Connector** - You can connect a CAT5 or CAT6 cable here. PoE can also be used.
- ④ **Power Input (DC12V)** - the DC12V power supply is available.



Yellow LED : Camera pin number 7(LED 1) : Speed		
Speed	Pin State	LED Definition
10Base-T	High	OFF
100Base-TX	Low	ON

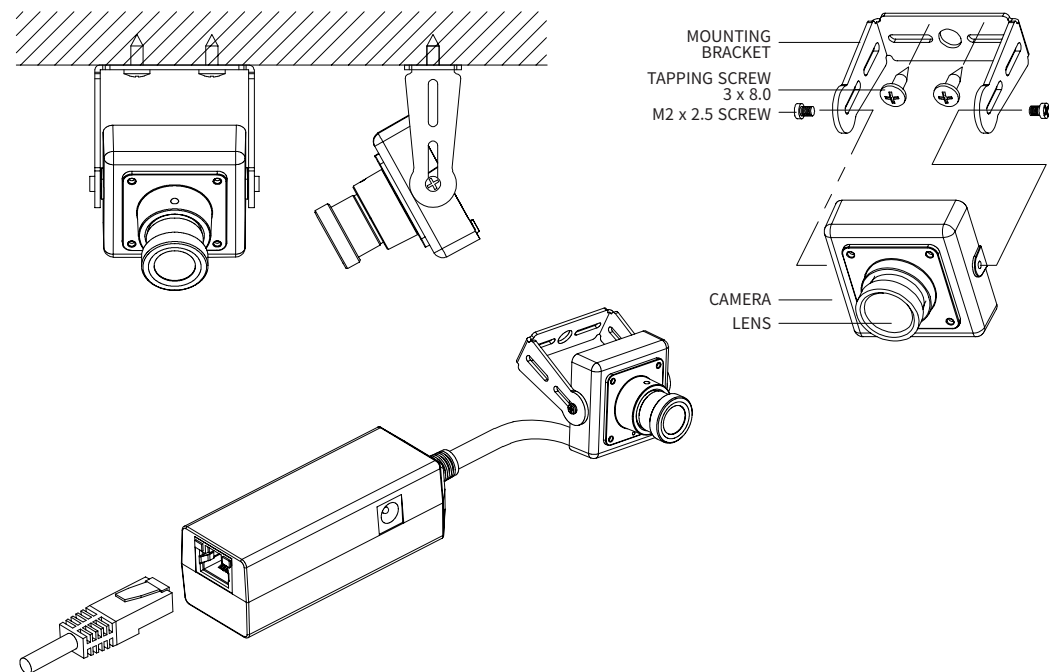
Green LED : Camera pin number 8(LED 0) : Link/Activity		
Link/Activity	Pin State	LED Definition
No link	High	OFF
Link	Low	ON
Activity	Toggle	Blinking



Pin 1, 2...7,8

No.	Connector
1	+12V
2	TX+
3	TX-
4	RX+
5	RX-
6	GND
7	LED 1
8	LED 0

4. Hardware Connection



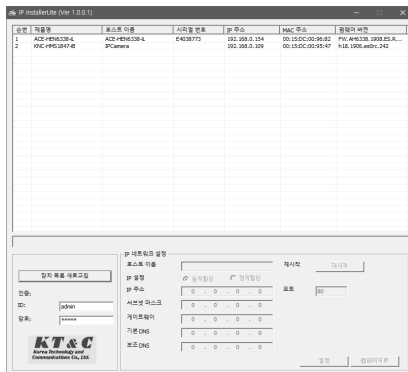
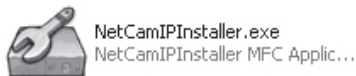
5. IP Address Assignment

- KNC-HMS6330-iB should be assigned an IP Address from a DHCP server. It is configured from the factory by default to work like that.
- Usually small home router has the feature of DHCP Server.
- You can download the open-source DHCP server from the Internet.

Assign an IP address using IP Installer

The IP installer automatically searches for and displays the network devices on your network. This application can also be used to manually assign a static IP address.

1. Check that the Network Camera is connected to the network and that power has been supplied.



2. Start NetCAM installer.

3. When the Network Camera is displayed, as shown above, select the unit that needs changing of an IP address.

- 1) Refresh Device List – Rescan local network to find the Network Camera.
- 2) Authenticate – Enter the administrator ID and password.

Default User ID and Password is [ID: admin, Password: admin]

- 3) Host Name – Enter the Host Name of the Network Camera.

4) IP Settings

- 4-1. Dynamic – Assign a dynamic IP address automatically from the DHCP server on your network.

- 4-2. Static – Assign a static IP address manually.

- 4-3. Port – Enter the HTTP port the Network Camera will use. The default setting is 80. Alternatively, any port in the range 1024-65535 may be used, but check first with your system administrator before changing the default setting.

5) Network Settings

- 5-1. Subnet Mask – Specify the mask for the subnet the Network Camera is located on.

- 5-2. Gateway – Specify the IP address of the default router (gateway) used for connecting devices attached to different networks and network segments.

- 5-3. Pri. DNS – Enter the IP address of the primary DNS server. This server provides the translation of hostnames to IP addresses on your network.

- 5-4. Sec. DNS – Specify the IP address of the secondary DNS server. This will be used if the primary DNS server is unavailable.

4. Click the “Set” button to save the configuration.

Accessing the Network Camera

1. Start your browser.
2. Enter the IP address or hostname of the Network Camera in the Address field of your browser.



3. After accessing the web page with a browser, a Login page will appear. Enter the user ID and password.



User ID :

Password :

Login Reset

6. Product Specifications

Features		Specification	
Video Input	Interface	1/2.8" 2.13MP Sony STARVIS CMOS	
	Resolution	1080p(1920x1080), 720p(1280x720), 1440x1080, 1920x720	
Video Output	Codec	H.264 (Main/Baseline Profile), MJPEG	
	Framerate	First: 1080p 30(25)fps (H.264) Second: 640x360 30(25)fps (H.264) Third: 1080p 30(25)fps (MJPEG)	
	Bitrate Control	H.264 : CBR, VBR, CVBR	
	Motion Detection	60x34 Motion Block, upto 4 Zones	
	Privacy Masking Zone	16 Zones	
Ethernet		10/100 Base-T Ethernet	
Protocols		HTTP, HTTPS, UPnP, DNS, DDNS, RTP/RTSP, TCP/IP, UDP, DHCP, RARP, NTP	
SW Integration API		ONVIF, KT&C API	
General	Power	Input	12VDC(±10%), PoE(IEEE802.3af)
		Consumption	12VDC(Max.190mA), PoE (Max.3.0W)
	Connectors	Ethernet	
	Demension	30 x 30 mm	
Weight	Approx.79.6g (with PoE Cable)		

Dimensions (Unit: mm)

2M Pixel Mini Square IP Camera

