

1 2 3 4 5 6

A

B

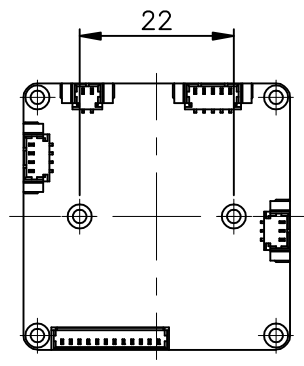
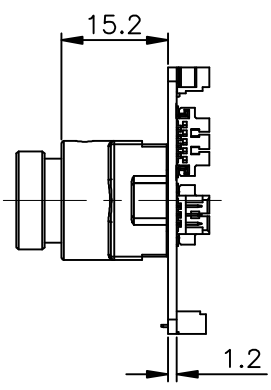
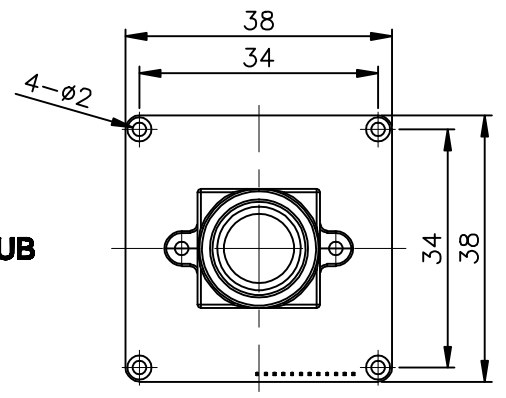
C

A

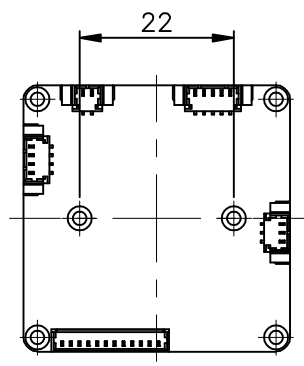
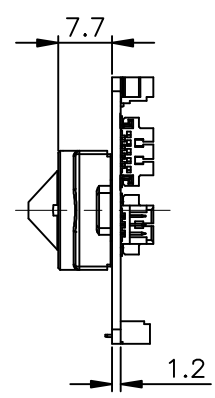
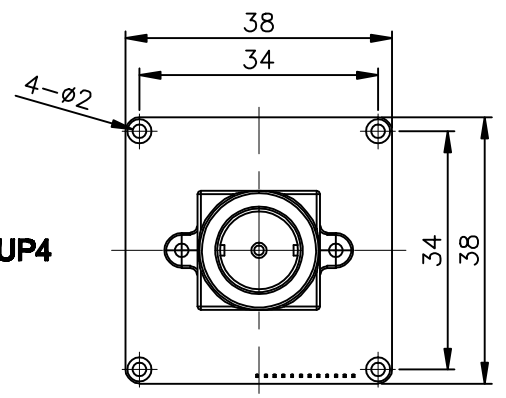
B


C

ACE-C380UB



ACE-C380UP4



D	5				TOLERANCE		UNIT	mm	MATERIAL	-	TITLE	ACE-C380		
	4				0<L≤50	±0.1	Q'TY	1EA	SCALE	1:1	PART NAME	ASSEMBLY		
	3				50<L≤300	±0.15	SIZE	A4	PROJECTION	3'rd	DESIGNED	CHECKED	APPROVED	
	2				300<L	±0.2	 KT&C CO., LTD.							
	1				ANGULAR	±1'						DWG NO.		
	NO.	DATE	Description	Revised by										

1 2 3 4 5 6