



1

2

3

4

5

6

A

B

C

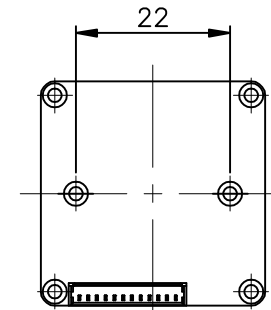
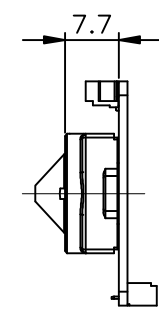
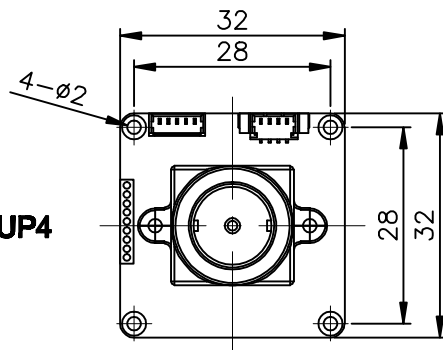
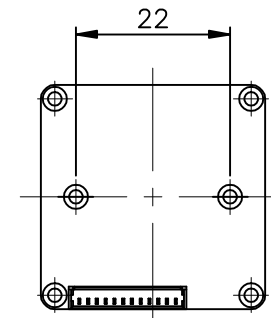
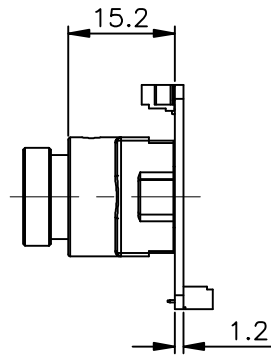
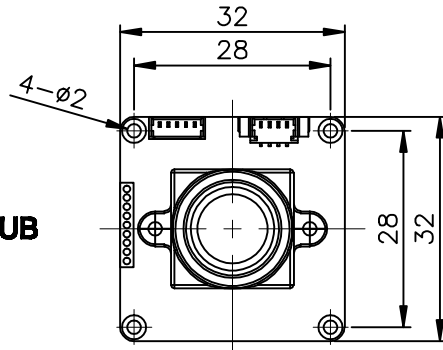
A


B

C

ACE-C320UB

ACE-C320UP4



D	⑤				TOLERANCE		UNIT	mm	MATERIAL	-	TITLE	KPC-C320		
	④				0<L≤50	±0.1	Q'TY	1EA	SCALE	1:1	PART NAME	ASSEMBLY		
	③				50<L≤300	±0.15	SIZE	A4	PROJECTION	3'rd	DESIGNED	CHECKED	APPROVED	
	②				300<L	±0.2	 KT&C CO., LTD.							
	①				ANGULAR	±1'						DWG NO.		
	NO.	DATE	Description	Revised by										

1

2

3

4

5

6