

Megapixel Network Camera

Installation Guide



2M Pixel Mini Bullet IP Camera



CAUTIONS

This device complies with Part 15 of the FCC Rules. Operation is subject to the following two conditions :

1) This device may not cause harmful interference, and 2) this device must accept any interference received, including interference that may cause undesired operation.

Note -

This equipment has been tested and found to comply with the limits for a Class A digital device, pursuant to Part 15 of the FCC Rules. These limits are designed to provide reasonable protection against harmful interference when the equipment is operated in a commercial environment. This equipment generates, uses, and can radiate radio frequency energy and, if not installed and used in accordance with the instruction manual, may cause harmful interference to radio communications. Operation of this equipment in a residential area is likely to cause harmful interference in which case the user will be required to correct the interference at his own expense.

Caution -

Any changes or modifications not expressly approved by the party responsible for compliance could void the user's authority to operate the equipment.

For Your Safety

- 1) All warnings and instructions in this manual should be followed.
- 2) Save this manual for future reference.
- 3) Heed all warnings.
- 4) Follow all instructions.
- 5) Do not use this apparatus near water.
- 6) Clean only with a dry cloth.
- 7) Do not block any ventilation openings. Install in accordance with the manufacturer's instructions.
- 8) Do not install near any heat sources such as radiators, heat registers, stoves, or other apparatus (including amplifiers) that produce heat.
- 9) To help prevent electric shock, plug the equipment and peripheral power cables into properly polarized or grounded electrical outlets. A polarized plug has two blades with one wider than the other. A grounding type plug has two blades and a third grounding prong. These cables are equipped with the wide blade or the third prong to ensure proper grounding. Do not use adapter plugs or remove the grounding prong from a cable. If the provided plug does not fit your outlet, consult an electrician.
- 10) Ensure that nothing rests on your equipment's cables and that the cables are not located where they can be stepped on, tripped over, or pinched.
- 11) Only use attachments or accessories as specified by the manufacturer.
- 12) Only use the equipment with the cart, stand, tripod, bracket, or table that is specified by the manufacturer or sold with the apparatus. When a cart is used, use caution to prevent the cart from tipping over and to avoid injury.



- 13) Do not connect or disconnect during lightning storms due to risk of electric shock.
- 14) If any of the following conditions occur, unplug the equipment from the electrical outlet and replace the part or contact your trained service provider:
 - The power cable, extension cable, or plug is damaged.
 - An object has fallen into the equipment.
 - The equipment has been exposed to water.
 - The equipment has been dropped or damaged.
 - The equipment does not operate correctly when you follow the operating instructions.

1. Introduction

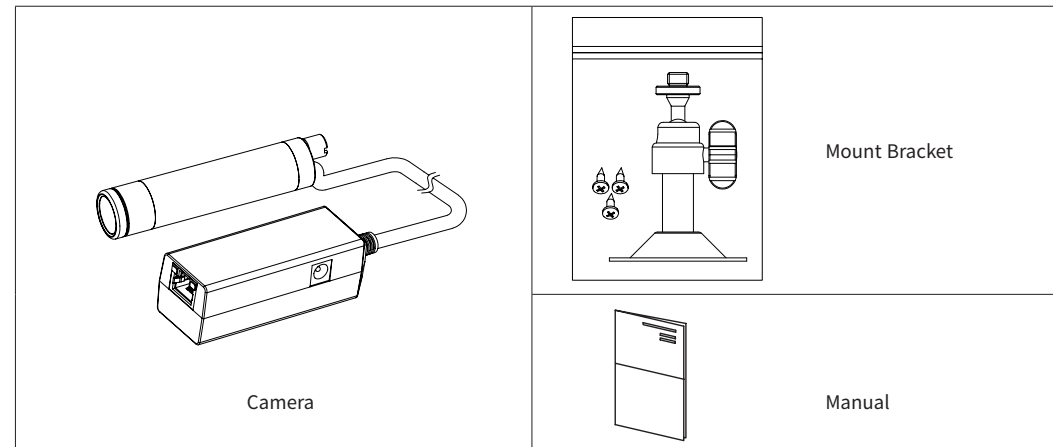
This installation guide provides instructions for installing the 2M Pixel Mini Bullet IP Camera on your network. Please see the user guide for all other aspects of using the product.

Installation Steps

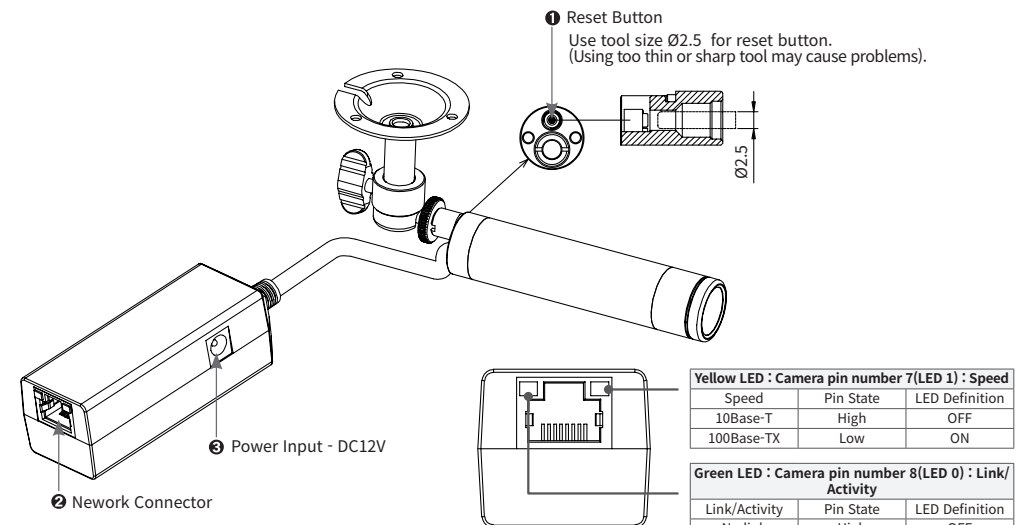
1. Check the list below and the package contents.
2. Read the Product description.
3. Install the hardware.
4. Assign an IP address if needs to. (DHCP is the default)
5. Set the admin and user ID and password. (see User Manual)

Important! : This product should be used in compliance with local laws and regulations.

2. Package Contents

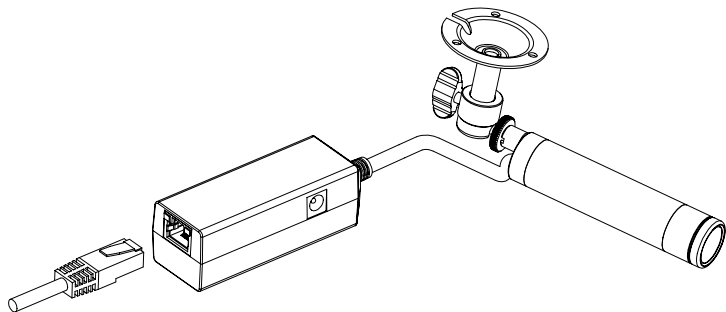


3. Product Description



1. Reset Button - This button sets the camera configuration to the factory default state.
2. Network Connector - You can connect a CAT5 or CAT6 cable here. PoE integrated.
3. Power Input (DC12V) - the DC12V power supply is available.

4. Hardware Connection



5. IP Address Assignment

KNC-HMB6319-iWX should be assigned an IP Address from a DHCP server. It is configured from the factory by default to work like that. Usually small home router has the feature of DHCP Server. You can download the open-source DHCP server from the Internet.

Assign an IP address using IP Installer

The IP installer automatically searches for and displays the network devices on your network. This application can also be used to manually assign a static IP address.

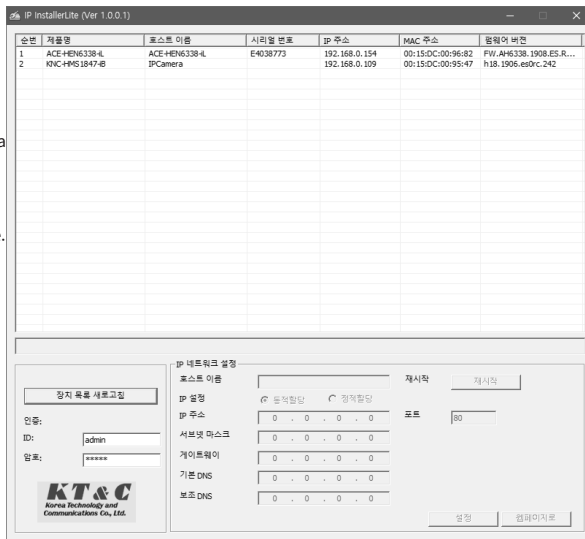
1. Check that the Network Camera is connected to the network and that power has been supplied.



NetCamIPInstaller.exe
NetCamIPInstaller MFC Applic...

2. Start NetCAM installer.

3. When the Network Camera is displayed, as shown above, select the unit that needs changing of an IP address.



A. Refresh Device List - Rescan local network to find the Network Camera.

B. Authenticate - Enter the administrator ID and password.

* **Default User ID and Password is**
[ID: admin, Password: admin]

C. Host Name - Enter the Host Name of the Network Camera

D. IP Settings

i. Dynamic - Assign a dynamic IP address automatically from the DHCP server on your network.

ii. Static - Assign a static IP address manually.

iii. Port - Enter the HTTP port the Network Camera will use. The default setting is 80.

Alternatively, any port in the range 1024-65535 may be used, but check first with your system administrator before changing the default setting.

E. Network Settings

i. Subnet Mask - Specify the mask for the subnet the Network Camera is located on.

ii. Gateway - Specify the IP address of the default router (gateway) used for connecting devices attached to different networks and network segments.

iii. Pri. DNS - Enter the IP address of the primary DNS server. This server provides the translation of host names to IP addresses on your network.

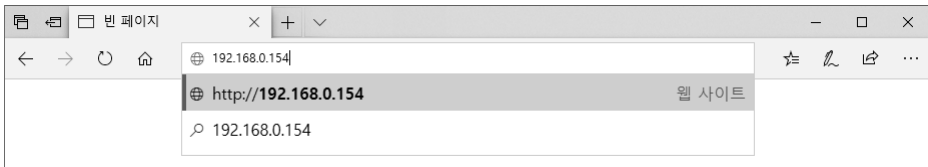
iv. Sec. DNS - Specify the IP address of the secondary DNS server. This will be used if the primary DNS server is unavailable.

4. Click the "Set" button to save the configuration.

Accessing the Network Camera

1. Start your browser.

2. Enter the IP address or host name of the Network Camera in the Address field of your browser.



3. After accessing the web page with a browser, a Login page will appear. Enter the user ID and password.



6. Product Specifications

Features		Specification
Video Input	Image Sensor	1/2.8" 2.13MP Sony STARVIS CMOS
	Resolution	1080p(1920x1080), 720p(1280x720), 800x600, 640x480
Video Output	Codec	H.264 (Main/Baseline Profile), MJPEG
	Framerate	First: 1080p 30(25)fps (H.264)
		Second : 640x360 30(25)fps (H.264)
		Third : 1080p 30(25)fps (MJPEG)
		※ 60fps works only at 720p or lower resolution
Bitrate Control	H.264 : CBR, VBR, CVBR	
Motion Detection	60x34 Motion Block, upto 4 Zones	
Privacy Masking Zone	16 Zones	
Ethernet		10/100 Base-T Ethernet
Protocols		HTTP, HTTPS, UPnP, DNS, DDNS, RTP/RTSP, TCP/IP, UDP, DHCP, RARP, NTP
SW Integration API		ONVIF, KT&C API
Power	Input	12VDC(±10%), PoE (IEEE802.3af Integrated)
	Consumption	12VDC(Max 190mA) / PoE(Max 3.0W)
Connectors		Ethernet
Dimension		Ø19 x 81.8 mm (iWX type)
Weight		Approx. 85.5g (with PoE Cable/iWX type)
Operating Conditions		Temperature: -10°C ~ +50°C (14°F ~ 122°), Humidity Max. 80% RH (non-condensing)
Storage Conditions		Temperature: -20°C ~ +60°C(-4°F~140°F), Humidity Max. 90% RH(non-condensing)

Dimensions (Unit:mm)

