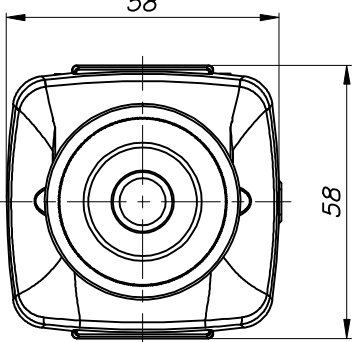


1/4"-20UNC

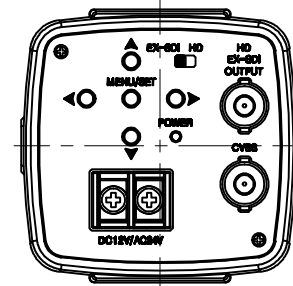
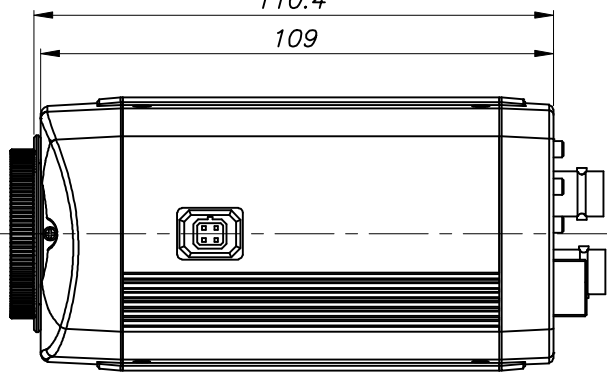
58




58

110.4

109



NO.	DATE	Description	Revised by	TOLERANCE	
				0<L<100	±0.1
				100<L<300	±0.15
				300<L	±0.2
				ANGULAR	±0.1°

UNIT	mm	MATERIAL	-	TITLE	KTC-MEBN6322		
Q'TY	1EA	SCALE	1:1	PART NAME	ASSEMBLY		
SIZE	A3	PROJECTION	-	DESIGNED	CHECKED	APPROVED	
 KT&C CO., LTD.				DWG NO.			