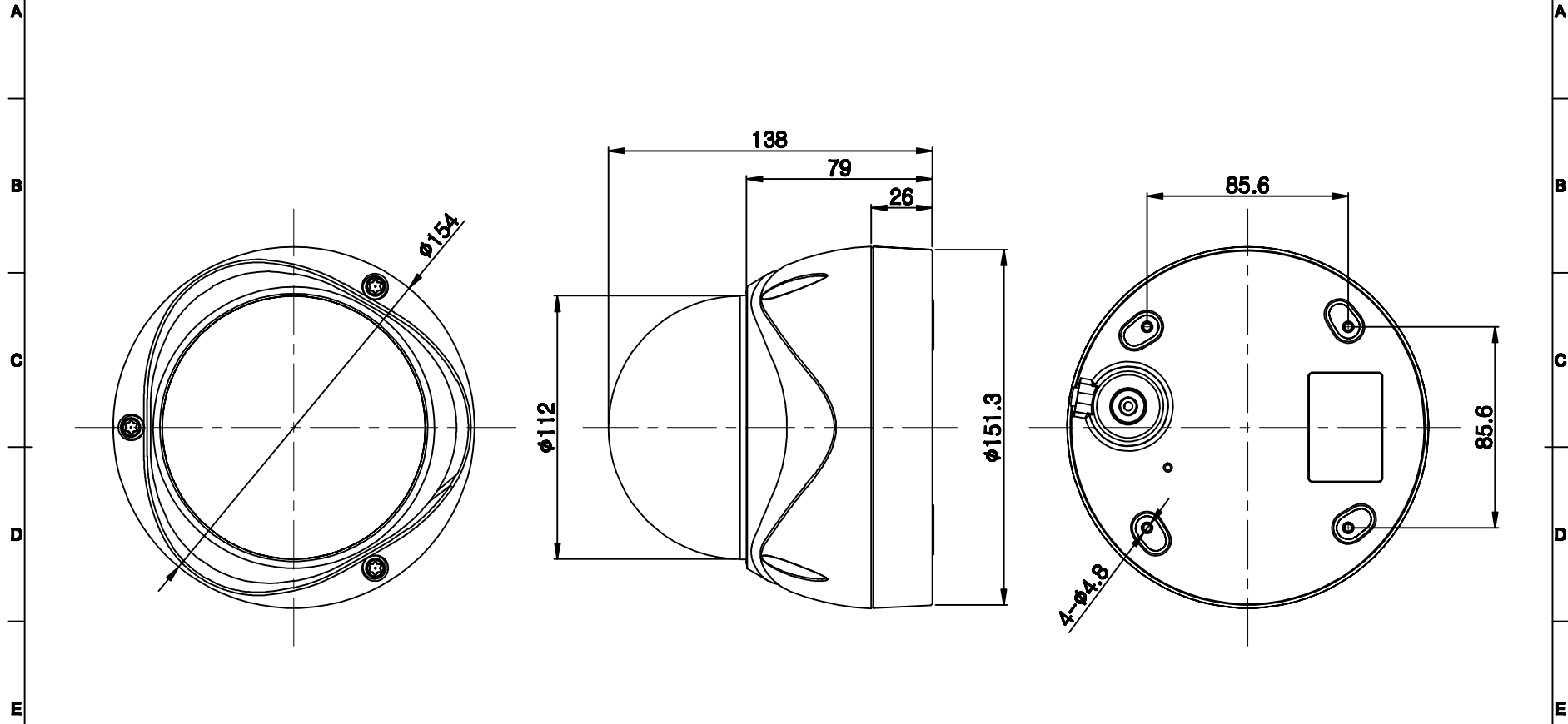



1 2 3 4 5 6 7 8



△					TOLERANCE		UNIT	mm	MATERIAL	-	TITLE	KPT-HMP7812-AZ
△					0<L≤100	±0.1	Q'TY	1EA	SCALE	N/S	PART NAME	ASSEMBLY
△					100<L≤300	±0.15	SIZE	A3	PROJECTION	-	DESIGNED	CHECKED
△					300<L	±0.2					APPROVED	
△					ANGULAR	±0.1°						
NO.	DATE	Description		Revised by					KT&C CO., LTD.		DWG NO.	

1 2 3 4 5 6 7 8